

VPIT Support

Planning & Finance
Director
Mike Dyre

Admin
Ann Hobby

Name: Denita Campo
Title: Functional Analyst

Name: Jim Parr
Title: Sr. UBM

Name: Paula Berry
Title: UBM Int.

Name: Rita Jennings
Title: UBM

Name: Lillian Sutherland
Title: UBM Int.

Name: Peggy Johns .5 FTE
Title: Admin Assoc

Name: Beverly Coleman
Title: Receptionist

Name: Vacant
Title: Admin Assoc.

Name: Patsy Heitzman
Title: Program Coordinator

Name: Kim Johnson
Title: Admin. Assoc.

Name: Peggy Johns .5 FTE
Title: Admin Assoc

Enterprise Security
Director
Brenda Gombosky

Name: Lisa Cooper
Title: Security Anal III

Name: Andrew Davis
Title: Security Anal IV

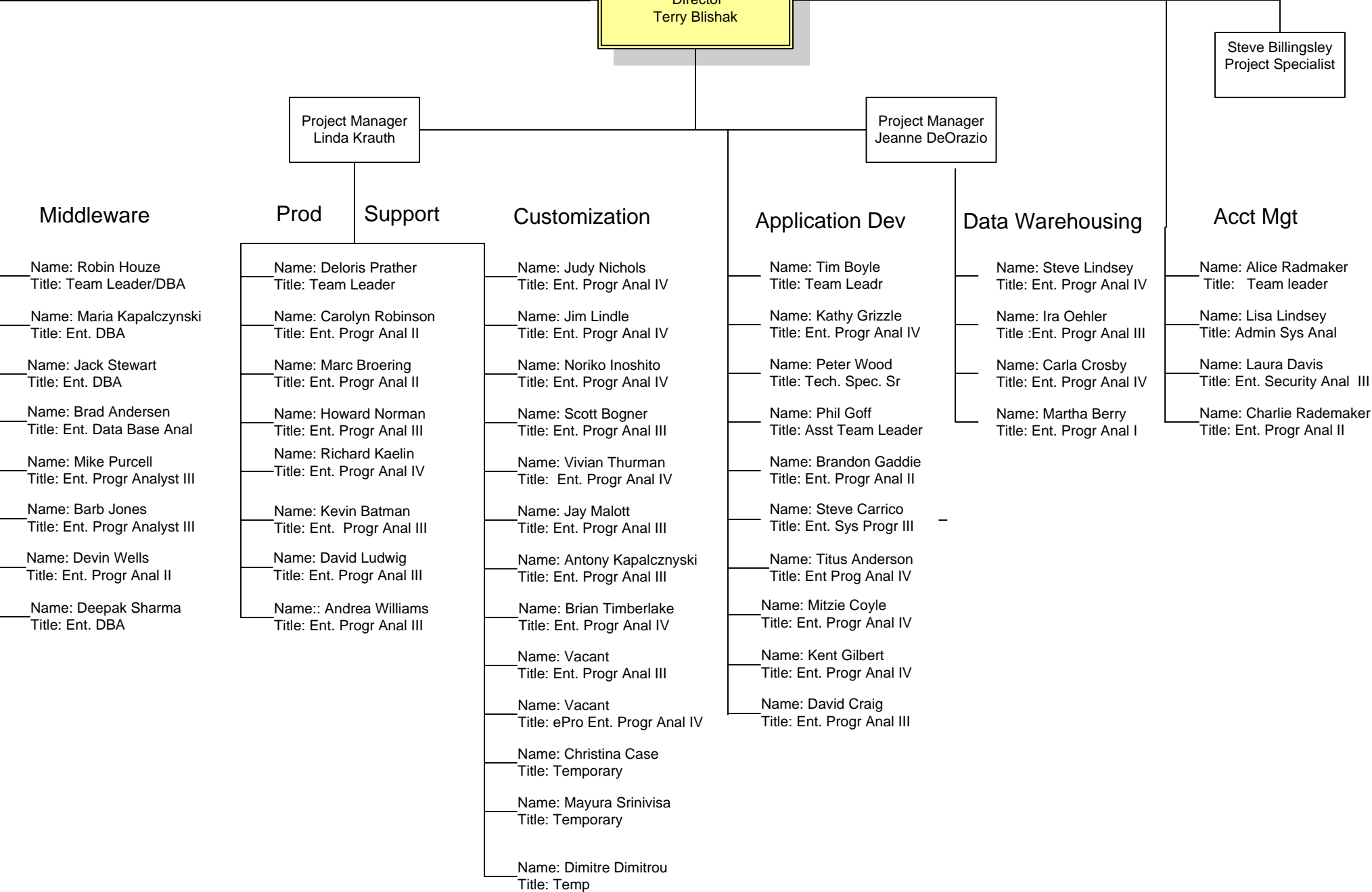
Infrastructure
Assistant VP
Tom Sawyer

Information Systems
Director
Terry Blishak

Steve Billingsley
Project Specialist

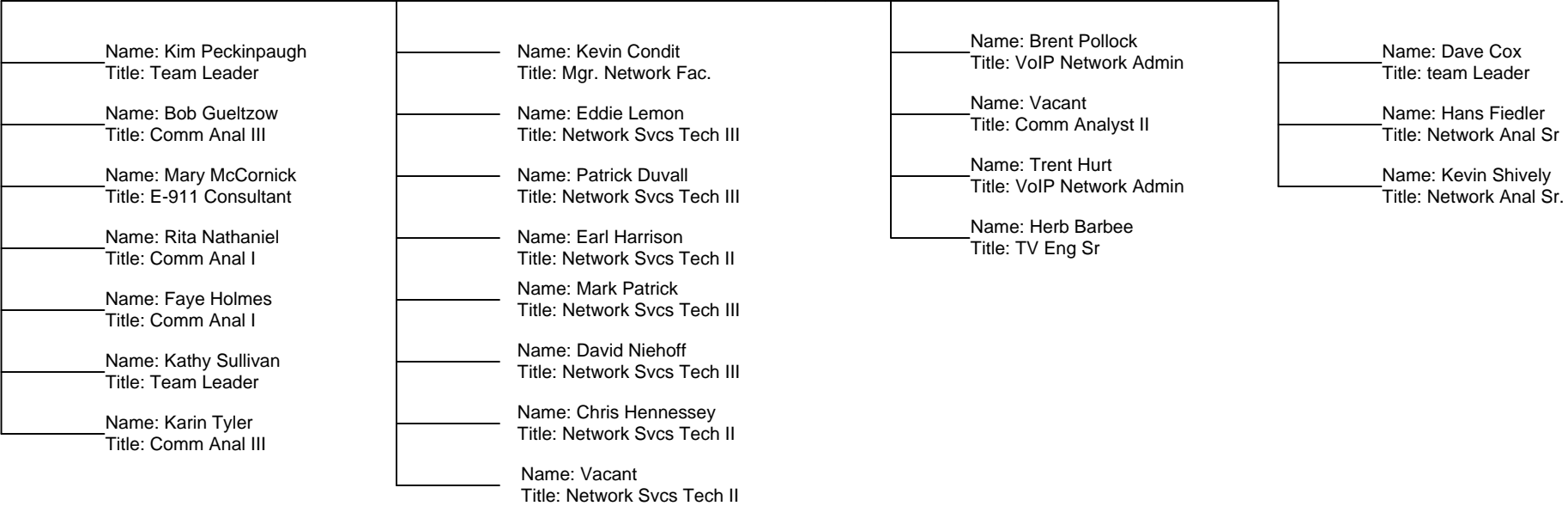
Project Manager
Linda Krauth

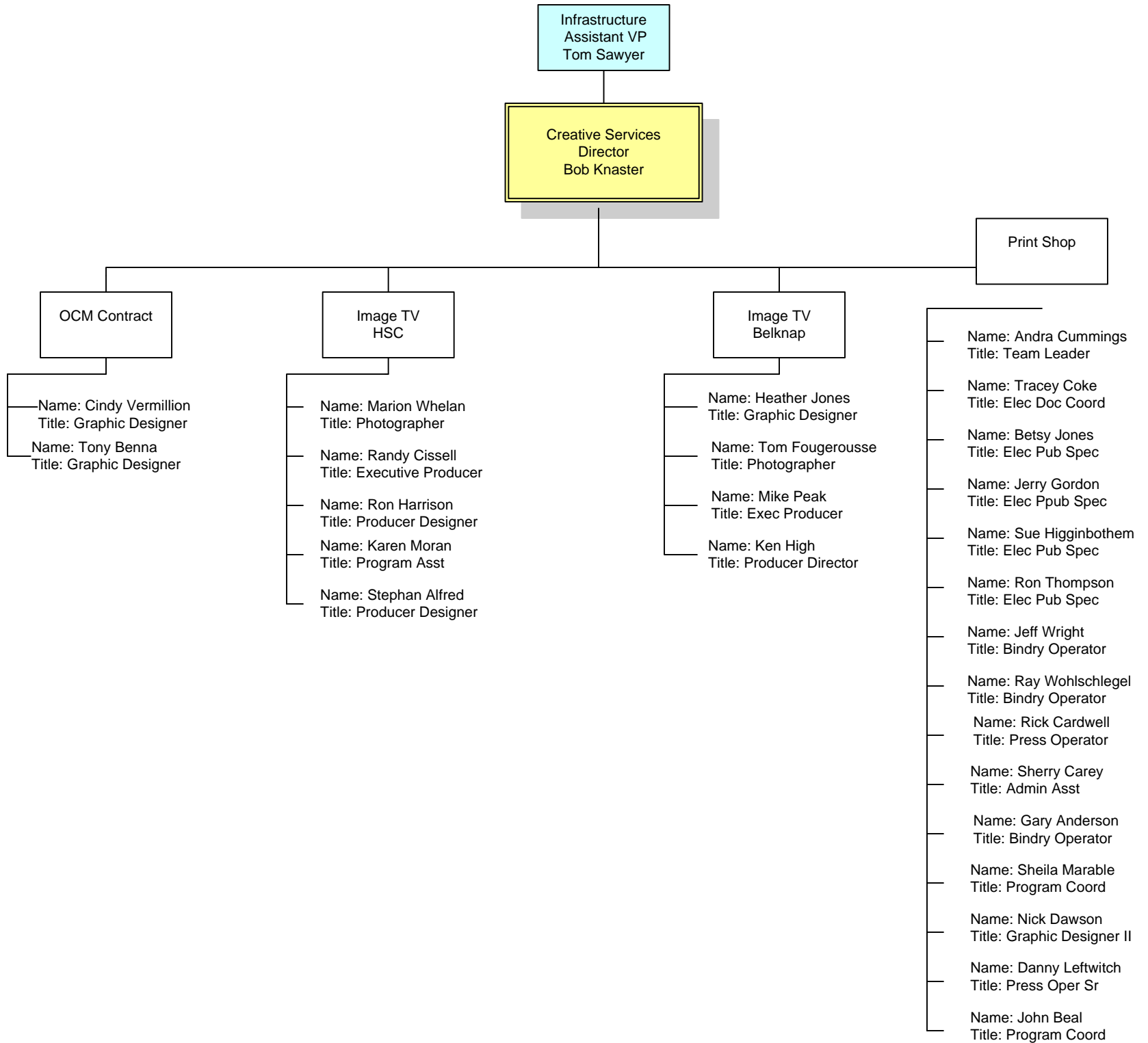
Project Manager
Jeanne DeOrazio



Infrastructure
Assistant VP
Tom Sawyer

Communications
Director
Jay Vetter





Infrastructure
Assistant VP

Enterprise Operations
Director
Steve Bennison

Technical Spt
Research & Academic
Systems

Desktop & Classroom
Support

Instructional Spt

Helpdesk

Technical Spt
Enterprise Systems

Name: Vincent A. Bellina
Title: Team Leader

Name: Vacant
Title: System Prog. III

Copier & Uniprint

Name: Will Barnett
Title: Tech Consultant II

Name: Phil Burris
Title: Team Leader

Name: Jeff Booker
Title: Desktop Support Tech

Name: Jason Dunn
Title: Desktop Support Tech

Name: Darwin Hendrix
Title: Desktop Support Tech

Name: Brad Vertrees
Title: Desktop Support Tech

Name: Steve Clemons
Title: Multi-Media Tech

Name: Susan Harrison
Title: Instructional Tech Consultant

Name: James Hundley
Title: Multimedia Tech

Name: Mike Murphy
Title: Multimedia Tech

Name: Robert Peck
Title: Multimedia Tech

Name: Mary Donnelly
Title: Multimedia Tech

Name: Henry Smith
Title: Multimedia Tech

Name: Marc Echternach
Title: Team Leader

Name: Vacant
Title: Inst Tech Consultant

Name: Ron Meeron
Title: Inst Tech Consultant

Name: Victoria Harpe
Title: Team Leader

Name: Sharron Abernathy
Title: OpCenter Specialist

Name: Victoria Boyd
Title: OpCenter Specialist

Name: Tim Caswell
Title: OpCenter Specialist

Name: Carolyn Drury
Title: OpCenter Specialist

Name: Christina Ehresman
Title: OpCenter Specialist

Name: Cliff Krause
Title: OpCenter Specialist

Name: Vacant
Title: OpCenter Supervisor

Name: Steve Manning
Title: OpCenter Specialist

Name: Bill Melhart
Title: OpCenter Specialist

Name: Cheryl Monroe
Title: OpCenter Specialist

Name: Dan Willett
Title: OpCenter Specialist

Name: Barbara Fish
Title: OpCenter Specialist

Name: Bob Thomasson
Title: Team Leader

Name: Evan Hildebran
Title: Ent. Sys. Programmer

Name: Dave Ehresman
Title: Ent. Sys. Programmer

Name: Kevin Chinn
Title: Ent. Sys. Programmer

Name: Dave Jones
Title: Ent. Sys. Programmer

Name: Dennis Large
Title: Ent. Sys. Programmer

Name: Scott Owen
Title: Ent. Sys. Programmer

Name: Chris Pierce
Title: Ent. Sys. Programmer

Name: Vacant
Title: Ent. Sys. Programmer

Name: Bob Waters
Title: Ent. Sys. Programmer

Name: Kevin Ledford
Title: Computer Support Analyst

Support Services
Assistant VP
Sande Johnson-Byers

Academic & Technology
Support Director
Vacant

Team Leader
Rhonda Dixon

iTech Xpress
Name: Teresa Williams
Title: Technology Specialist
Name: Lisa Payne
Title: Technology Specialist Int.
Name: Donna Casey
Title: Technology Specialist
Name: Jim Travelstead
Title: Technology Consultant

User Centers
Name: Melanie Hale
Title: Comp. Support Anal.
Name: Robert Wellinghust
Title: Comp. Support Anal.

**Academic
Research Consulting**
Name: Harrison Simrall
Title: Research Consultant
Name: Chris Kimmer
Title: Research Consultant

Support Services
Assistant VP
Sande Johnson-Byers

Consulting
Director
Jo Kaelin

Manager
IT Communications &
Mkt./Training
Keni Brown

Consulting Svcs

Client Partners

iTech Connect

Name: Ralph Merkel
Title: Tech Cons IV

Name: Janet Valentine
Title: Tech Cons Sr.

Name: Susan Barber
Title: Team Leader/Tech con IV

Name: Michael Radmacher
Title: Tech Con IV

Name: Troy Franklin
Title: Tech Con IV

Name: Karen Johnson
Title: Tech Specialist Senior

Name: Sherry Roark
Title: Tech Cons IV

Training

Comm. & Mkt.

Name: Sharon Wheeler
Title: Inst. Tech. Consultant

Name: Laura Hardesty
Title: Comm & Mktg Spec.