

VPIT Support

Research
Director
Mike Dyre

Support Services
Asst. Vice Pres
Sande Johnson-Byers

Admin
Ann Hobby

Name: Jim Parr
Title: Sr. UBM

Name: Paula Berry
Title: UBM Int.

Name: Rita Jennings
Title: UBM

Name: Lillian Sutherland
Title: UBM Int.

Name: Peggy Johns .5 FTE
Title: Admin Assoc

Name: Denita Campo
Title: Consultant/Proj Spt

Name: Beverly Coleman
Title: Receptionist

Name: Libby Davis
Title: Admin Assoc.

Name: Patsy Heitzman
Title: Program Coordinator

Name: Kim Johnson
Title: Admin. Assoc.

Name: Peggy Johns .5 FTE
Title: Admin Assoc

Enterprise Security
Director
Brenda Gombosky



Name: Lisa Cooper
Title: Security Anal III

Name: Andrew Davis
Title: Security Anal IV

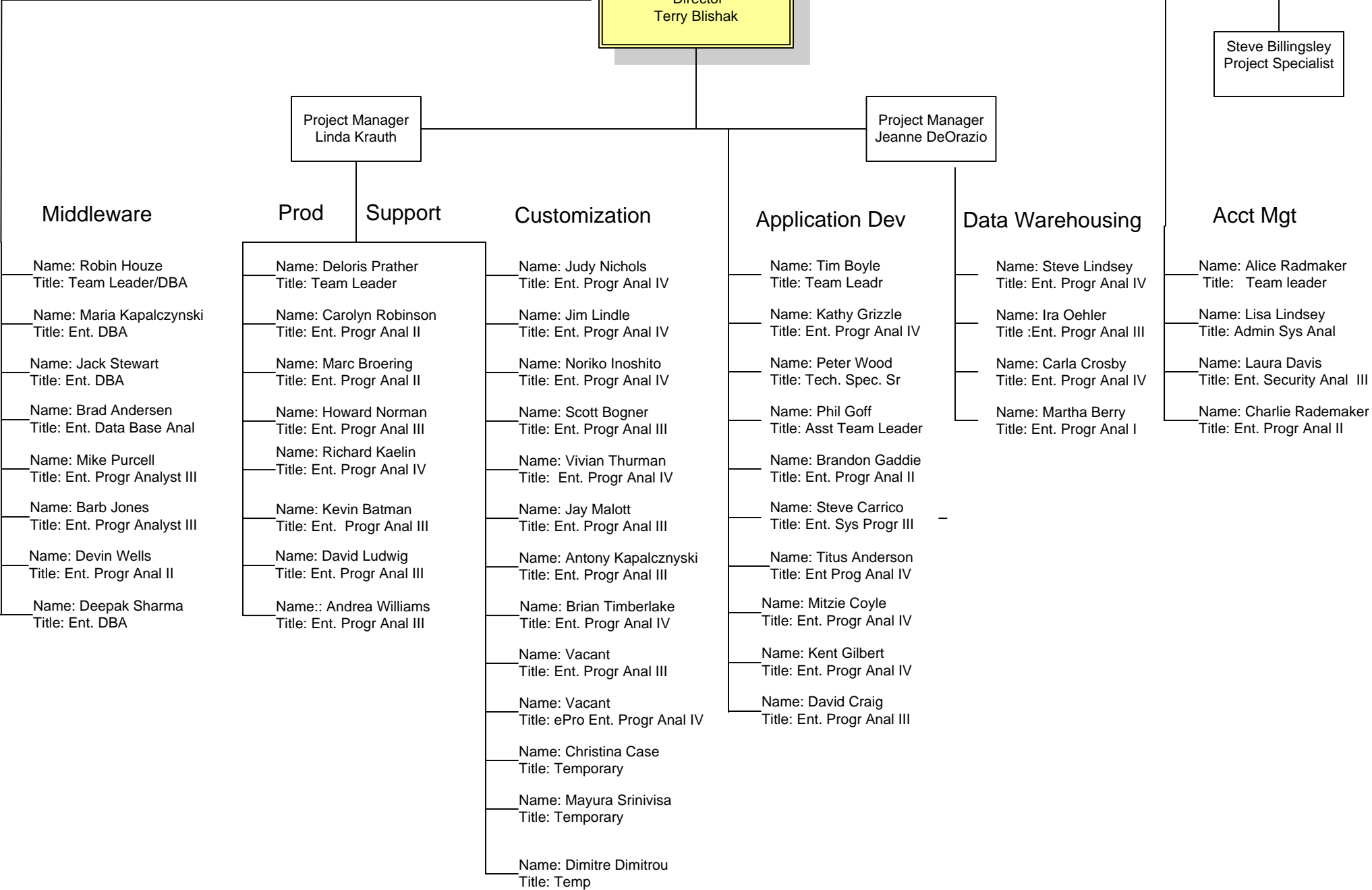
Infrastructure
Vice President
Priscilla Hancock

Information Systems
Director
Terry Blishak

Steve Billingsley
Project Specialist

Project Manager
Linda Krauth

Project Manager
Jeanne DeOrazio



Middleware

Prod

Support

Customization

Application Dev

Data Warehousing

Acct Mgt

Name: Robin Houze
Title: Team Leader/DBA

Name: Maria Kapalczynski
Title: Ent. DBA

Name: Jack Stewart
Title: Ent. DBA

Name: Brad Andersen
Title: Ent. Data Base Anal

Name: Mike Purcell
Title: Ent. Progr Analyst III

Name: Barb Jones
Title: Ent. Progr Analyst III

Name: Devin Wells
Title: Ent. Progr Anal II

Name: Deepak Sharma
Title: Ent. DBA

Name: Deloris Prather
Title: Team Leader

Name: Carolyn Robinson
Title: Ent. Progr Anal II

Name: Marc Broering
Title: Ent. Progr Anal II

Name: Howard Norman
Title: Ent. Progr Anal III

Name: Richard Kaelin
Title: Ent. Progr Anal IV

Name: Kevin Batman
Title: Ent. Progr Anal III

Name: David Ludwig
Title: Ent. Progr Anal III

Name: Andrea Williams
Title: Ent. Progr Anal III

Name: Judy Nichols
Title: Ent. Progr Anal IV

Name: Jim Lindle
Title: Ent. Progr Anal IV

Name: Noriko Inoshito
Title: Ent. Progr Anal IV

Name: Scott Bogner
Title: Ent. Progr Anal III

Name: Vivian Thurman
Title: Ent. Progr Anal IV

Name: Jay Malott
Title: Ent. Progr Anal III

Name: Antony Kapalczynski
Title: Ent. Progr Anal III

Name: Brian Timberlake
Title: Ent. Progr Anal IV

Name: Vacant
Title: Ent. Progr Anal III

Name: Vacant
Title: ePro Ent. Progr Anal IV

Name: Christina Case
Title: Temporary

Name: Mayura Srinivisa
Title: Temporary

Name: Dimitre Dimitrou
Title: Temp

Name: Tim Boyle
Title: Team Leadr

Name: Kathy Grizzle
Title: Ent. Progr Anal IV

Name: Peter Wood
Title: Tech. Spec. Sr

Name: Phil Goff
Title: Asst Team Leader

Name: Brandon Gaddie
Title: Ent. Progr Anal II

Name: Steve Carrico
Title: Ent. Sys Progr III

Name: Titus Anderson
Title: Ent Prog Anal IV

Name: Mitzie Coyle
Title: Ent. Progr Anal IV

Name: Kent Gilbert
Title: Ent. Progr Anal IV

Name: David Craig
Title: Ent. Progr Anal III

Name: Steve Lindsey
Title: Ent. Progr Anal IV

Name: Ira Oehler
Title: Ent. Progr Anal III

Name: Carla Crosby
Title: Ent. Progr Anal IV

Name: Martha Berry
Title: Ent. Progr Anal I

Name: Alice Radmaker
Title: Team leader

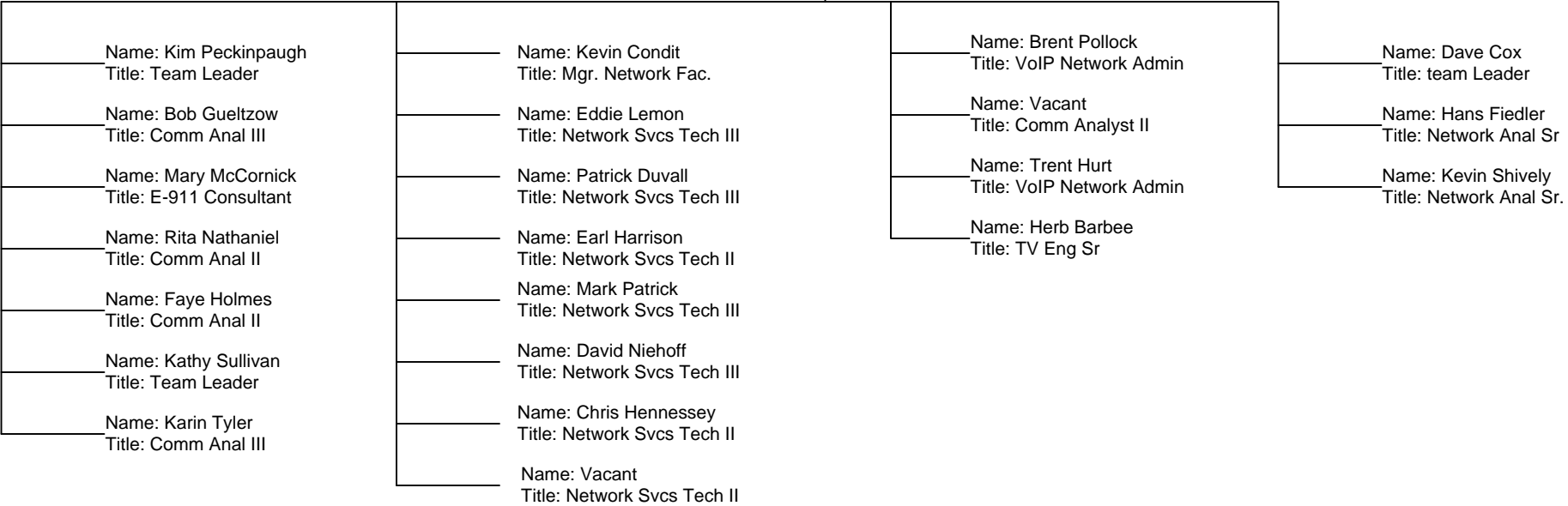
Name: Lisa Lindsey
Title: Admin Sys Anal

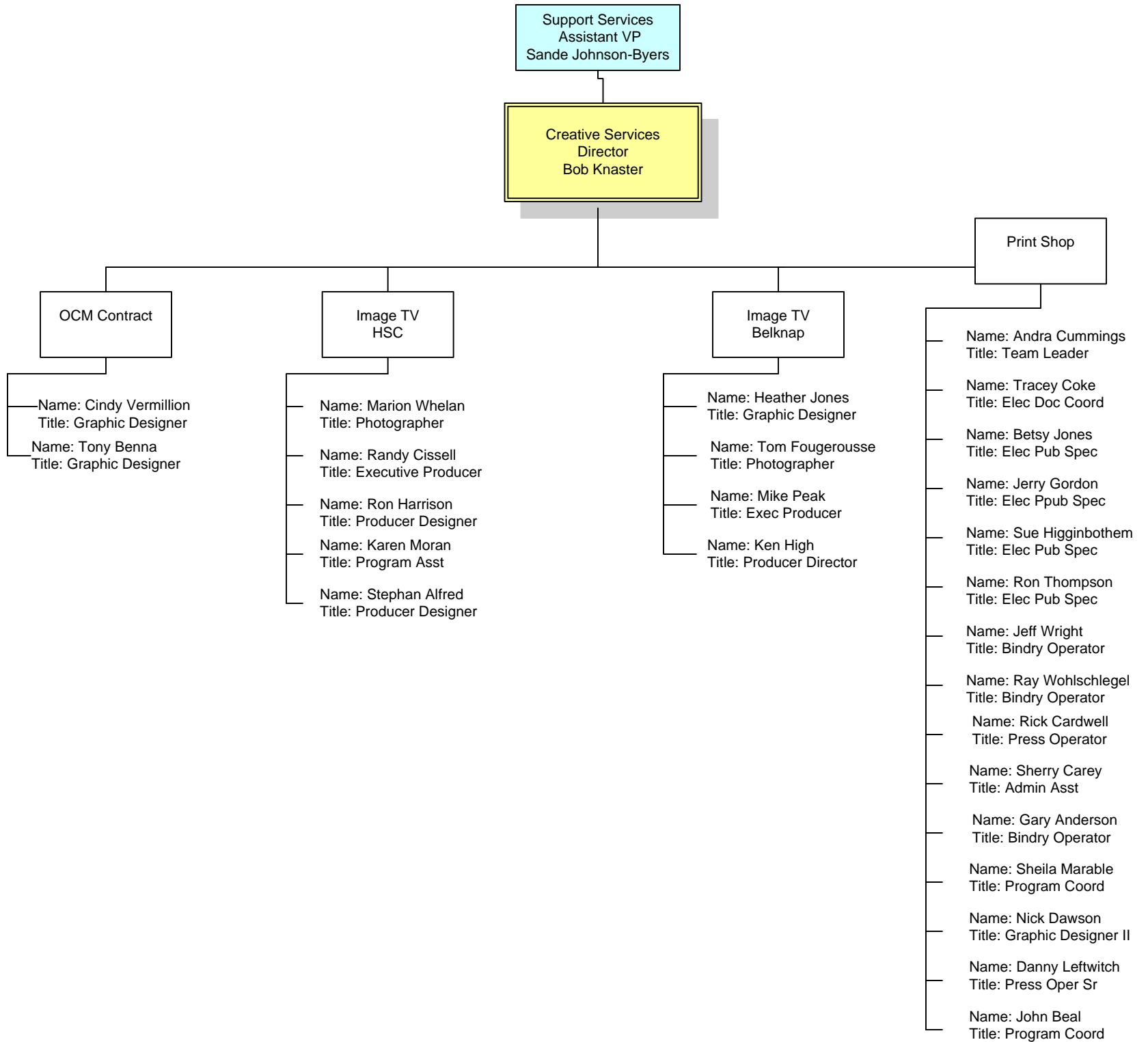
Name: Laura Davis
Title: Ent. Security Anal III

Name: Charlie Rademaker
Title: Ent. Progr Anal II

Infrastructure
Assistant VP
Tom Sawyer

Communications
Director
Jay Vetter





Infrastructure
Vice President
Priscilla Hancock

Enterprise Operations
Director
Steve Bennison

Technical Spt
Research & Academic
Systems

Name: Vincent A. Bellina
Title: Team Leader

Name: Rohini Sharma
Title: System Prog. III

Name: Will Barnett
Title: Tech Consultant II

Copier & Uniprint

Desktop & Classroom
Support

Name: Phil Burris
Title: Team Leader

Name: Jeff Booker
Title: Desktop Support Tech

Name: Jason Dunn
Title: Desktop Support Tech

Name: Darwin Hendrix
Title: Desktop Support Tech

Name: Brad Vertrees
Title: Desktop Support Tech

Name: Steve Clemons
Title: Multi-Media Tech

Name: Susan Harrison
Title: Instructional Tech Consultant

Name: James Hundley
Title: Multimedia Tech

Name: Mike Murphy
Title: Multimedia Tech

Name: Robert Peck
Title: Multimedia Tech

Name: Mary Donnelly
Title: Multimedia Tech

Name: Henry Smith
Title: Multimedia Tech

Name: Robert Wellinghurst
Title: Comp Supportt Analyst

Instructional Spt

Name: Marc Echternach
Title: Team Leader

Name: Vacant
Title: Inst Tech Consultant

Name: Ron Meeron
Title: Inst Tech Consultant

Helpdesk

Name: Victoria Harpe
Title: Team Leader

Name: Sharron Abernathy
Title: OpCenter Specialist

Name: Victoria Boyd
Title: OpCenter Specialist

Name: Tim Caswell
Title: OpCenter Specialist

Name: Carolyn Drury
Title: OpCenter Specialist

Name: Christina Ehresman
Title: OpCenter Specialist

Name: Cliff Krause
Title: OpCenter Specialist

Name: Omar Edwards
Title: OpCenter Supervisor

Name: Steve Manning
Title: OpCenter Specialist

Name: Bill Melhart
Title: OpCenter Specialist

Name: Cheryl Monroe
Title: OpCenter Specialist

Name: Dan Willett
Title: OpCenter Specialist

Name: Barbara Fish
Title: OpCenter Specialist

Technical Spt
Enterprise Systems

Name: Bob Thomasson
Title: Team Leader

Name: Evan Hildebran
Title: Ent. Sys. Programmer

Name: Dave Ehresman
Title: Ent. Sys. Programmer

Name: Kevin Chinn
Title: Ent. Sys. Programmer

Name: Dave Jones
Title: Ent. Sys. Programmer

Name: Dennis Large
Title: Ent. Sys. Programmer

Name: Scott Owen
Title: Ent. Sys. Programmer

Name: Chris Pierce
Title: Ent. Sys. Programmer

Name: David Richards
Title: Ent. Sys. Programmer

Name: Bob Waters
Title: Ent. Sys. Programmer

Name: Kevin Ledford
Title: Computer Support Analyst

Support Services
Assistant VP
Sande Johnson-Byers

Research
Director
Mike Dyre

Name: Harrison Simrall
Title: Research Consultant

Name: Chris Kimmer
Title: Research Consultant

Support Services
Assistant VP
Sande Johnson-Byers

Consulting
Director
Jo Kaelin

Manager
IT Communications &
Mkt./Training
Keni Brown

Consulting Svcs

Client Partners

iTech Connect

Name: Sherry Roark
Title: Tech Cons IV

Name: Denita Campo
Title: Consulting/Proj Spt

Name: Susan Barber
Title: Team Leader/Tech con IV

Name: Michael Radmacher
Title: Tech Con IV

Name: Troy Franklin
Title: Tech Con IV

Name: Karen Johnson
Title: Tech Specialist Senior

Name: Ralph Merkel
Title: Tech Cons Sr.

Name: Janet Valentine
Title: Tech Cons Sr.

Training

Comm. & Mkt.

Name: Sharon Wheeler
Title: Inst. Tech. Consultant

Name: Laura Hardesty
Title: Comm & Mktg Spec.

Support Services
Assistant VP

Team Leader
Rhonda Dixon

iTech Xpress

Name: Teresa Williams
Title: Technology Specialist

Name: Lisa Payne
Title: Technology Specialist Int.

Name: Donna Casey
Title: Technology Specialist

Name: Jim Travelstead
Title Technology Consultant

User Centers

Name: Melanie Hale
Title: Comp. Support Anal.

Name: Robert Wellinghust
Title: Comp. Support Anal.