

VPIT Support

Research  
Director  
Mike Dyre

Support Services  
Asst. Vice Pres  
Sande Johnson-Byers

Admin  
Ann Hobby

Name: Jim Parr  
Title: Sr. UBM

Name: Paula Berry  
Title: UBM Int.

Name: Rita Jennings  
Title: UBM

Name: Lillian Sutherland  
Title: UBM Int.

Name: Peggy Johns .5 FTE  
Title: Admin Assoc

Name: Denita Campo  
Title: Consultant/Proj Spt

Name: Beverly Coleman  
Title: Receptionist

Name: Libby Davis  
Title: Admin Assoc.

Name: Patsy Heitzman  
Title: Program Coordinator

Name: Kim Johnson  
Title: Admin. Assoc.

Name: Peggy Johns .5 FTE  
Title: Admin Assoc

Enterprise Security  
Director  
Brenda Gombosky



Name: Lisa Cooper  
Title: Security Anal III

Name: Andrew Davis  
Title: Security Anal IV

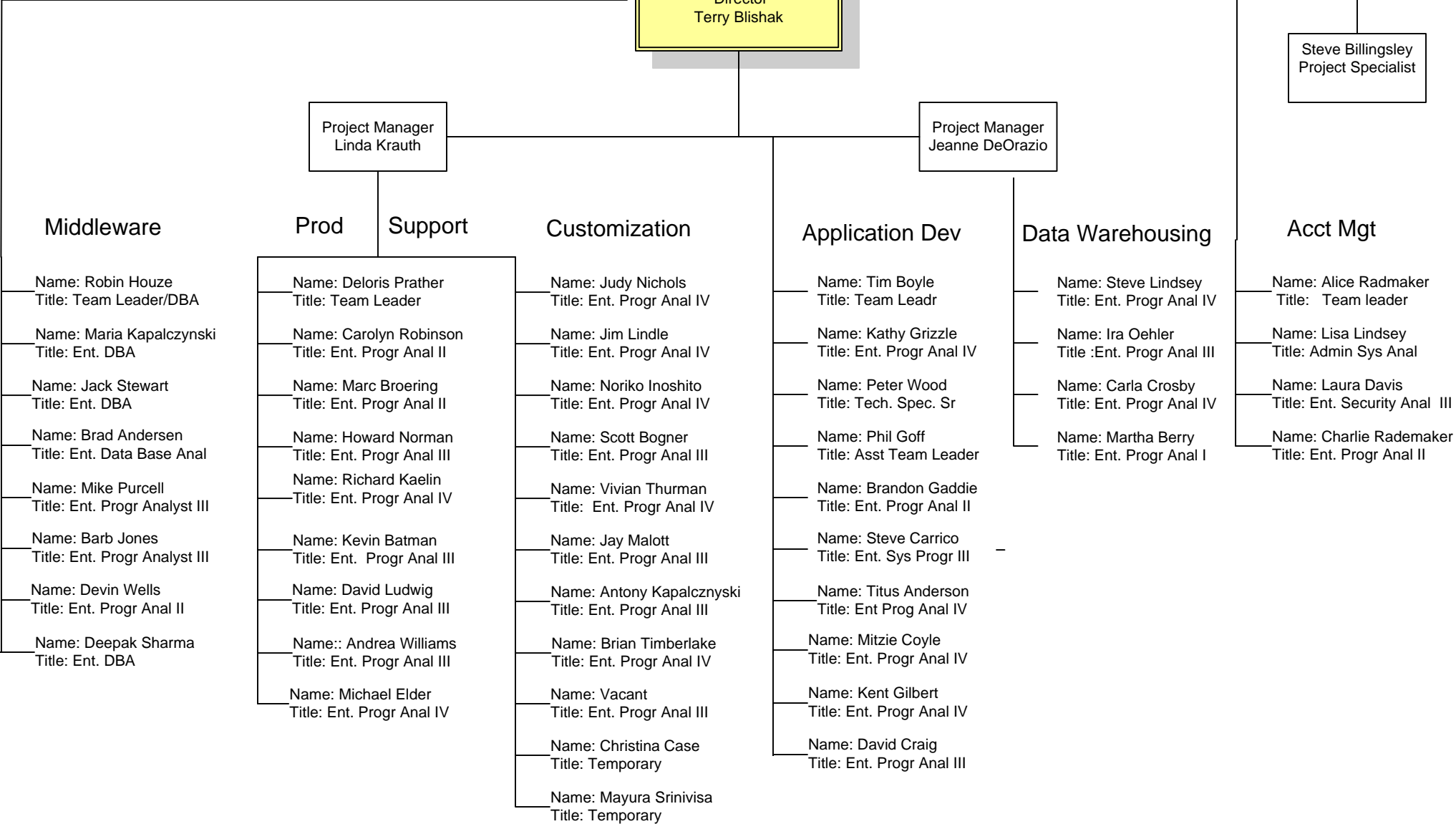
Infrastructure  
Vice President  
Priscilla Hancock

Information Systems  
Director  
Terry Blishak

Steve Billingsley  
Project Specialist

Project Manager  
Linda Krauth

Project Manager  
Jeanne DeOrazio



Middleware

Prod

Support

Customization

Application Dev

Data Warehousing

Acct Mgt

Name: Robin Houze  
Title: Team Leader/DBA

Name: Maria Kapalczynski  
Title: Ent. DBA

Name: Jack Stewart  
Title: Ent. DBA

Name: Brad Andersen  
Title: Ent. Data Base Anal

Name: Mike Purcell  
Title: Ent. Progr Analyst III

Name: Barb Jones  
Title: Ent. Progr Analyst III

Name: Devin Wells  
Title: Ent. Progr Anal II

Name: Deepak Sharma  
Title: Ent. DBA

Name: Deloris Prather  
Title: Team Leader

Name: Carolyn Robinson  
Title: Ent. Progr Anal II

Name: Marc Broering  
Title: Ent. Progr Anal II

Name: Howard Norman  
Title: Ent. Progr Anal III

Name: Richard Kaelin  
Title: Ent. Progr Anal IV

Name: Kevin Batman  
Title: Ent. Progr Anal III

Name: David Ludwig  
Title: Ent. Progr Anal III

Name: Andrea Williams  
Title: Ent. Progr Anal III

Name: Michael Elder  
Title: Ent. Progr Anal IV

Name: Judy Nichols  
Title: Ent. Progr Anal IV

Name: Jim Lindle  
Title: Ent. Progr Anal IV

Name: Noriko Inoshito  
Title: Ent. Progr Anal IV

Name: Scott Bogner  
Title: Ent. Progr Anal III

Name: Vivian Thurman  
Title: Ent. Progr Anal IV

Name: Jay Malott  
Title: Ent. Progr Anal III

Name: Antony Kapalczynski  
Title: Ent. Progr Anal III

Name: Brian Timberlake  
Title: Ent. Progr Anal IV

Name: Vacant  
Title: Ent. Progr Anal III

Name: Christina Case  
Title: Temporary

Name: Mayura Srinivisa  
Title: Temporary

Name: Tim Boyle  
Title: Team Leadr

Name: Kathy Grizzle  
Title: Ent. Progr Anal IV

Name: Peter Wood  
Title: Tech. Spec. Sr

Name: Phil Goff  
Title: Asst Team Leader

Name: Brandon Gaddie  
Title: Ent. Progr Anal II

Name: Steve Carrico  
Title: Ent. Sys Progr III

Name: Titus Anderson  
Title: Ent Prog Anal IV

Name: Mitzie Coyle  
Title: Ent. Progr Anal IV

Name: Kent Gilbert  
Title: Ent. Progr Anal IV

Name: David Craig  
Title: Ent. Progr Anal III

Name: Steve Lindsey  
Title: Ent. Progr Anal IV

Name: Ira Oehler  
Title: Ent. Progr Anal III

Name: Carla Crosby  
Title: Ent. Progr Anal IV

Name: Martha Berry  
Title: Ent. Progr Anal I

Name: Alice Radmaker  
Title: Team leader

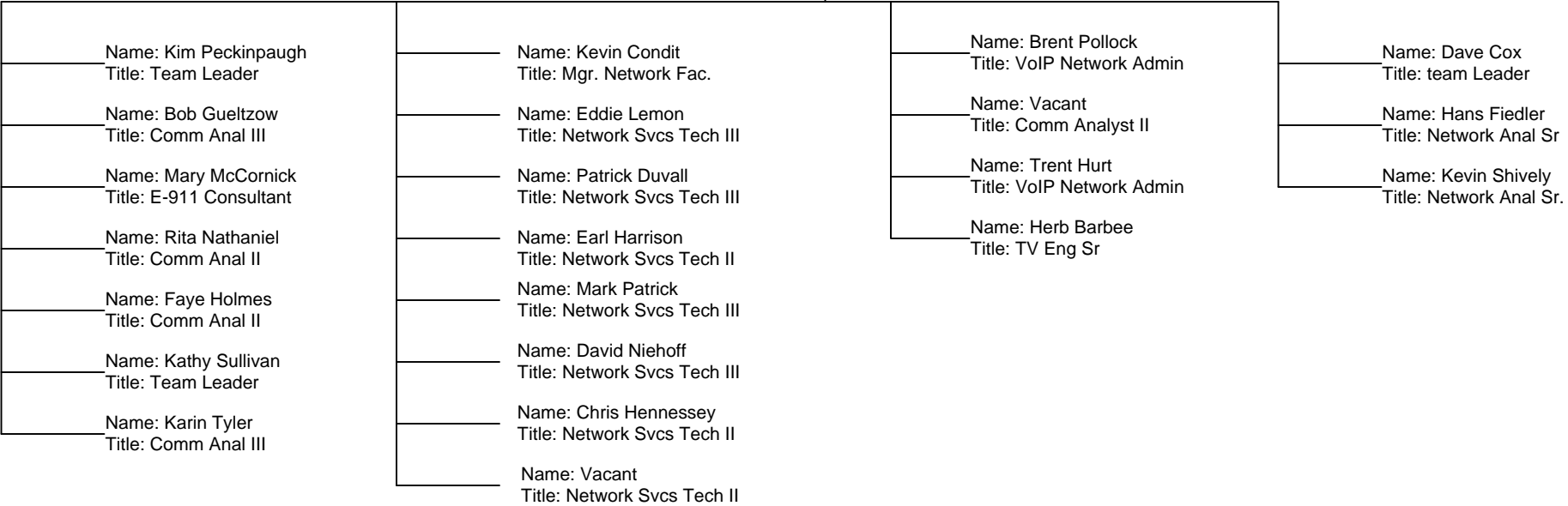
Name: Lisa Lindsey  
Title: Admin Sys Anal

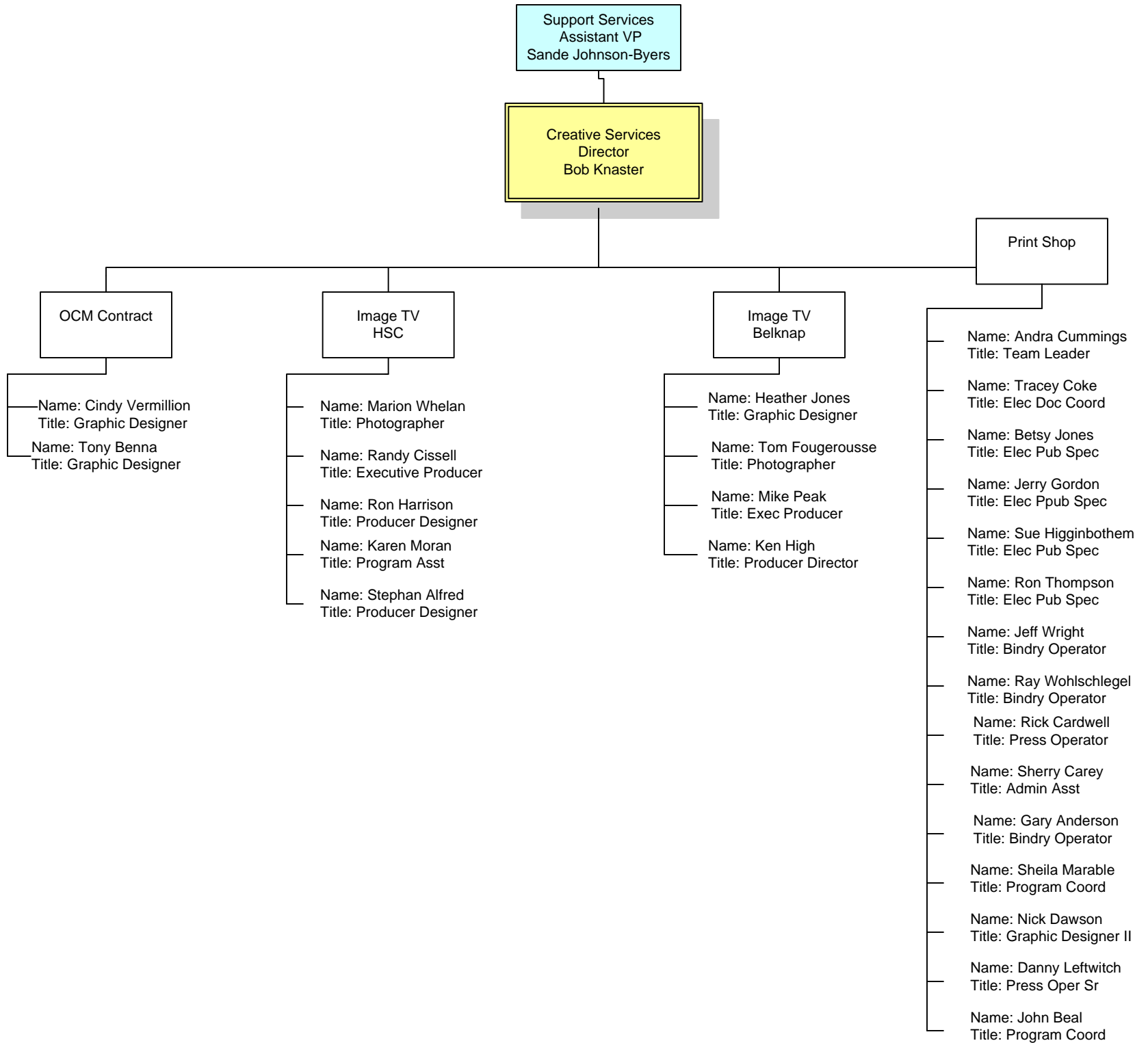
Name: Laura Davis  
Title: Ent. Security Anal III

Name: Charlie Rademaker  
Title: Ent. Progr Anal II

Infrastructure  
Assistant VP  
Tom Sawyer

Communications  
Director  
Jay Vetter





Infrastructure  
Vice President  
Priscilla Hancock

Enterprise Operations  
Director  
Steve Bennison

Technical Spt  
Research & Academic  
Systems

Name: Vincent A. Bellina  
Title: Team Leader

Name: Rohini Sharma  
Title: Ent. System Prog. III

Copier & Uniprint

Name: Will Barnett  
Title: Tech Consultant II

Desktop & Classroom  
Support

Name: Phil Burris  
Title: Team Leader

Name: Jeff Booker  
Title: Desktop Support Tech

Name: Jason Dunn  
Title: Desktop Support Tech

Name: Darwin Hendrix  
Title: Desktop Support Tech

Name: Brad Vertrees  
Title: Desktop Support Tech

Name: Steve Clemons  
Title: Multi-Media Tech

Name: Susan Harrison  
Title: Instructional Tech Consultant

Name: James Hundley  
Title: Multimedia Tech

Name: Mike Murphy  
Title: Multimedia Tech

Name: Robert Peck  
Title: Multimedia Tech

Name: Mary Donnelly  
Title: Multimedia Tech

Name: Henry Smith  
Title: Multimedia Tech

Name: Robert Wellinghurst  
Title: Comp Supportt Analyst

Name: Daniel J. Brian  
Title: Temporary

Instructional Spt

Name: Marc Echternach  
Title: Team Leader

Name: Vacant  
Title: Inst Tech Consultant

Name: Ron Meeron  
Title: Inst Tech Consultant

Helpdesk

Name: Victoria Harpe  
Title: Team Leader

Name: Sharron Abernathy  
Title: OpCenter Specialist

Name: Victoria Boyd  
Title: OpCenter Specialist

Name: Tim Caswell  
Title: OpCenter Specialist

Name: Carolyn Drury  
Title: OpCenter Specialist

Name: Christina Ehresman  
Title: OpCenter Specialist

Name: Cliff Krause  
Title: OpCenter Specialist

Name: Omar Edwards  
Title: OpCenter Supervisor

Name: Steve Manning  
Title: OpCenter Specialist

Name: Bill Melhart  
Title: OpCenter Specialist

Name: Cheryl Monroe  
Title: OpCenter Specialist

Name: Dan Willett  
Title: OpCenter Specialist

Name: Barbara Fish  
Title: OpCenter Specialist

Technical Spt  
Enterprise Systems

Name: Bob Thomasson  
Title: Team Leader

Name: Evan Hildebran  
Title: Ent. Sys. Programmer

Name: Dave Ehresman  
Title: Ent. Sys. Programmer

Name: Kevin Chinn  
Title: Ent. Sys. Programmer

Name: Dave Jones  
Title: Ent. Sys. Programmer

Name: Dennis Large  
Title: Ent. Sys. Programmer

Name: Scott Owen  
Title: Ent. Sys. Programmer

Name: Chris Pierce  
Title: Ent. Sys. Programmer

Name: David Richards  
Title: Ent. Sys. Programmer

Name: Bob Waters  
Title: Ent. Sys. Programmer

Name: Kevin Ledford  
Title: Computer Support Analyst

Support Services  
Assistant VP  
Sande Johnson-Byers

Research  
Director  
Mike Dyre

Name: Harrison Simrall  
Title: Research Consultant

Name: Chris Kimmer  
Title: Research Consultant

Support Services  
Assistant VP  
Sande Johnson-Byers

Consulting  
Director  
Jo Kaelin

Manager  
IT Communications &  
Mkt./Training  
Keni Brown

**Consulting Svcs**

**Client Partners**

**iTech Connect**

Name: Sherry Roark  
Title: Tech Cons IV

Name: Denita Campo  
Title: Consulting/Proj Spt

Name: Susan Barber  
Title: Team Leader/Tech con IV

Name: Michael Radmacher  
Title: Tech Con IV

Name: Troy Franklin  
Title: Tech Con IV

Name: Karen Johnson  
Title: Tech Specialist Senior

Name: Janet Valentine  
Title: Tech Cons Sr.

**Training**

**Comm. & Mkt.**

Name: Sharon Wheeler  
Title: Inst. Tech. Consultant

Name: Laura Hardesty  
Title: Comm & Mktg Spec.

Support Services  
Assistant VP

Team Leader  
Rhonda Dixon

iTech Xpress

Name: Teresa Williams  
Title: Technology Specialist

Name: Lisa Payne  
Title: Technology Specialist Int.

Name: Donna Casey  
Title: Technology Specialist

Name: Jim Travelstead  
Title: Technology Consultant

User Centers

Name: Melanie Hale  
Title: Comp. Support Anal.

Name: Robert Wellinghust  
Title: Comp. Support Anal.

